



HIVERADAR[®]

WSSK v3 DATASHEET

- AccelTex Edition

* AccelTex The Accelerator V2 battery sold separately.
Not included in WSSK v3 - AccelTex edition.



Dimensions

22"
Length

14"
Width

9"
Height

HiveRadar WSSK v3

The all new HiveRadar WSSK v3 is the best wireless site survey kit on the market. We have improved an already great product and made it even better all within the same form-factor. HiveRadar WSSK v3 supports virtually any vendors wireless access points.

Ultimate Portability & Airline Friendly

HiveRadar WSSK v3 meets the carry on dimensions specified by virtually all major airlines. It is extremely portable and using the integrated retractable handle allows you to effortlessly wheel and maneuver the kit.

Water - resistant

The HiveRadar WSSK v3 retains the rugged impact protection to keep your survey gear safe. It is not waterproof for use in inclement weather. It is water resistant with all outlets capped. It can be secured with optional TSA friendly locks or latches.

Big Things In A Small Package

Despite its compact size the new HiveRadar WSSK v3 has bigger surprises in store



Height & Stability

The fully extended height has gone up from 9ft to over 12ft. Increased height also requires a stable base. You no longer need to purchase a tethering kit. Included in the kit is a heavy duty non-skid, articulating stabilizer feet for tool free installation. All components neatly tuck away in the case.



Universal AP Mounting System

The new universal AP mounting bracket is sturdier with a crisp clean finish. 90deg swivel allows positioning for ceiling or wall mount deployments & stiffer rigidity for heavier AP's.

Quick locks ensure the mounting bracket is aligned correctly to the front of the kit.

Also new to the bracket is a mini ball-head for mounting a Go-pro or a 360cam. Take a birds eye-view time-lapse of your wifi survey engagement and showcase your work.



Custom Cables

Fabric wrapped or in thermal sleeves for durability and safety while also maintaining the overall aesthetics of the kit. Velcro cable ties strategically placed for a tangle free attachment to the pole.

Laser Etched RJ45 connection indicators make it simple.



AccelTex Accelerator V2 Battery Slots

The HiveRadar AccelTex Edition features a specially designed battery holder, tailored to support two AccelTex The Accelerator V2 batteries.

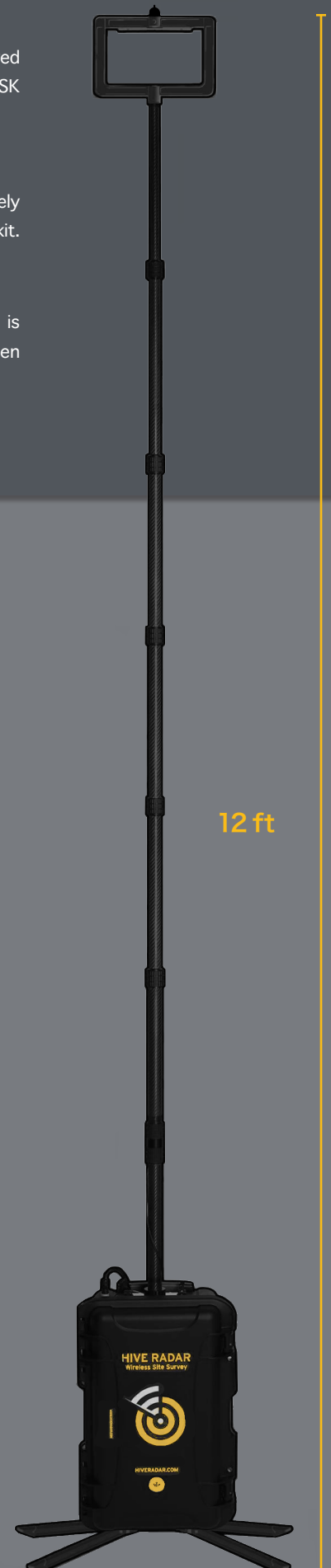
This custom holder ensures a secure fit and convenient setup for your equipment. To enhance usability, the cables are pre-routed and clearly labeled, simplifying the connection process and reducing setup time. This thoughtful design allows for easy maintenance and quick battery replacements for external charging.

***The Accelerator V2 Battery not included with the kit. To be purchased separately.**



Customizable Foam

Majority of our customers prefer to incorporate their own essential tools and require flexibility. We are now including "pluck-foam" that makes it easy to customize your kit with your own tools you deem essential.





PROJECT PLANNER

The HiveRadar Project planner is companion web application to manage and log wifi site survey projects; from scheduling project meetings, uploading your floorplan, taking site notes, photographs, voice memos, logging your project expenses, revenues to monitoring the progress of your projects to it's completion.



EKAHAU AI PRO

You are free to use your own favorite site survey software or bundle the kit with Ekahau AI PRO software, which offers powerful Wi-Fi planning and AI design for the most reliable, best performing 2.4/5/6 GHz wireless networks. Design, analyze, optimize, and troubleshoot enterprise Wi-Fi networks. Pair it with Sidekick 2, the fastest and most precise Wi-Fi testing and measurement device, supercharged and tuned for 2.4/5/6 GHz.

WSSK Editions

Specifications	HiveRadar Edition	Ventev Edition	AccelTex Edition
AP Mounting Height	12ft (365.7cm)	12ft (365.7cm)	12ft (365.7cm)
Mounting Hardware	Included	Included	Included
Mounting Scenario	Ceiling or Wall Mount	Ceiling or Wall Mount	Ceiling or Wall Mount
Case Dimensions	L22''(55.8cm) x W14''(35.5cm) x H9''(22.8cm)	L22''(55.8cm) x W14''(35.5cm) x H9''(22.8cm)	L22''(55.8cm) x W14''(35.5cm) x H9''(22.8cm)
Battery	HiveRadar 100wh LiFePo4 Battery	Slots for 2 x Ventev VenVolt 2 Batteries. Batteries Sold Separately.	Slots for 2 x AccelTex The Accelerator V2 Batteries. Batteries Sold Separately.
AP Power Source	PoE+ (PoE++ Upgrade Available)	PoE++ / 24v PoE	PoE++ / 12v DC
Run Time	Up to 9 Hours	Up to 6 Hours	Up to 6 Hours
Cables	Ethernet	Ethernet	Ethernet
HiveRadar Project Planner	Included	Included	Included
Engineer Locator**	Included	Included	Included
Ekahau Software and Hardware	Optional	Optional	Optional
Included Accessories	- Laser Distance Measure - CAT7 12ft (3.66m) Ethernet Cable	- Laser Distance Measure - CAT7 12ft (3.66m) Ethernet Cable	- Laser Distance Measure - Flashlight
Options	- 10G PoE++ Upgrade - PoE++ Upgrade (56V 70W) Supports 802.3AF/AT/BT - Spare Battery - Castering Wheels (Set of 4) - XL Mounting Bracket for APs up to 13'' (33 cm) Wide - Magnetic Pole Mount for Outdoor AP - Airtag Holder - Shoulder Strap - TSA Latches	- Castering Wheels (Set of 4) - XL Mounting Bracket for APs up to 13''(33 cm) Wide - Magnetic Pole Mount for Outdoor AP - Airtag Holder - Shoulder Strap - TSA Latches	- Castering Wheels (Set of 4) - XL Mounting Bracket for APs up to 13''(33 cm) Wide - Magnetic Pole Mount for Outdoor AP - Airtag Holder - Shoulder Strap - TSA Latches