

Thank you for purchasing the HiveRadar Wireless Site Survey Kit. We understand most techies (us included) rarely read the setup/instruction manual but we urge you to give it a quick read to familiarize yourself with the awesomeness of the HiveRadar Survey Kit we have created. We assure you that your effort will not be in vain!

While no product is perfect we have identified some of the quirks during our field tests and points that you have to keep in mind. We will continue to improve upon the product and should you happen to find unidentified issues and or have suggestions on how we can improve upon the product to make it more awesome please go to our feature request page at [HiveRadar.com](https://www.hiveradar.com).

DO'S & DONT'S

DO:

- Always use the retractable handle as the primary point of leverage to maneuver and hold the carbon fiber pole gently if it is extended.
- Keep the case on level ground when conducting site survey.
- Keep it away from traffic on job site to prevent any accidental bumps.

DON'T:

- Wheel the kit by just pulling or pushing the Carbon Fiber pole.
- Mount AP's that weigh more than 2Lbs.
- Use it in outdoor environment in windy conditions.

BATTERY & CHARGER

Your HiveRadar battery has already been pre-charged and tested. RUN TIMES - will vary depending on the power draw from your devices you can expect the following:

DC Power - Upto 21Hrs (Tested with Aerohive, Ruckus, Meraki)

PoE+ - Upto 9Hrs (Tested with Aerohive AP230, forced power setting of 802.3at)

The HiveRadar battery can be charged and recharged in a number of convenient ways.

AC Adapter (included): 4 Hours, DC Adapter (optional): 2 Hours, Solar Panel (optional): 4-10 Hours

Quirk: When battery is being used and discharged the LED lights may not necessarily follow the predictable discharge rate/drain which can be a bit misleading. There is nothing to worry. The last LED indicator will stay on the longest. When the battery is very low the LED will start FLASHING and automatically shut off when it reaches a critical level. For most this will be a non factor as it last your full day's work.

Capacity: 99.8Wh (+/- 5Wh) - TSA/FAA/IATA Guideline 100Wh **Battery Chemistry:** LiFePO4 (Lithium Iron Phosphate)
LED Indicator: Charge state indicator. Each LED bank blinks when charging and solid when charged. Discharge Cycle only the last light blinks when battery is low. **DC Input Port:** 15V 4A Max **AC-DC Charger:** 100-240VAC to DC15V 2.0A
USB Ports x 2: 5V 2A Max Each **DC Output:** 12V 8A Max Continuous **Weight:** 3.3Lbs (1.5Kgs)
Operating Temp: 0 - 50 Deg C (32 - 120 Deg F) **Environment:** Keep away from water, snow, flammable gas & liquids

LED FLASHLIGHT

Type: Hi Power USB Rechargeable Flashlight **Emitter:** CREE LED **Brightness:** 1200 Lumens (Max) **Battery:** 1 x 18650
Modes: High, Med, Low, Strobe, SoS **Runtime:** High - 3Hrs | Med/Strobe - 6Hrs | Low/SoS - 12Hrs |
Material: Aluminium Alloy, Mil Spec Hard-Anodized Finish **Lens:** Toughened Ultra Clear Mineral Glass | Anti-Reflective
Lanyard: Included **Charging Time:** 3 - 5 Hrs **Power Bank:** USB output (hold button for 1Sec) **Water Resistant:** Yes

 LOW  MED  HIGH  SOS  STROBE  USB INPUT/OUTPUT

MULTI TOOL

High tensile steel multi-tools feature a precise fit and finish and side grips for a secure handhold.

- HEX WRENCHES: #2, 2.5, 3, 4, 5, 6, 8
- OPEN WRENCH: 8mm, 10mm
- ⊕ ⊖ SCREWDRIVERS: PHILLIPS #1, PHILLIPS #2, FLAT #2
- ⊗ TORX: t-10, t-25

LASER DISTANCE MEASURE

Measure distance upto 60m or 196ft. These units can also calculate Area, Volume, etc. Battery, lanyard and a carry case are included. Accuracy of +/- 2mm.

Caution: This device is not a toy. Keep it away from children. Use responsibly and never project the laser at someone or look directly into it.



EXTERIOR

1. Articulating Arm
2. Universal Access Point Mount
3. Carbon Fiber Pole
4. Cable Organizer Velcro
5. Quick Lock Mechanism
6. Pole Extension Locking
7. Waterproof Cable Connectors (DC & PoE)
8. Pole-to-Case Twist Lock
9. Waterproof USB Connector
10. Reinforced Padlock Holes
11. Pressure Equalization Vent
12. Shoulder Strap Attachment

INTERIOR

- a. HiveRadar WSSK Case
- b. Power Rocker Switch
- c. Integrated Router
- d. Two Pc Carbon Fiber Pole Set
- e. Custom DC & Ethernet Cables
- f. Multi-tool with Case
- g. Articulating Arm & 360 Swivel Mount
- h. LED Flashlight & Micro USB Cable
- i. HiveRadar EB100 Battery & Charger
- j. Laser Distance Measure & Battery
- k. Heat Resistant Silicone Bands



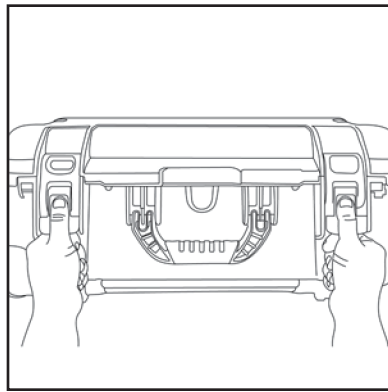
1

2

3

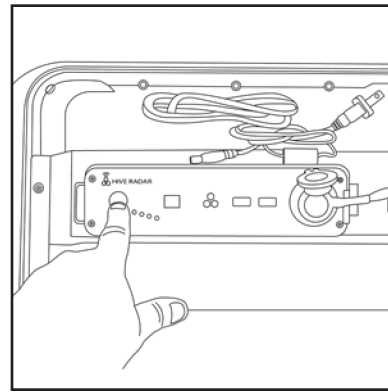
Open the Case

Squeeze the latch and lift the lid open.



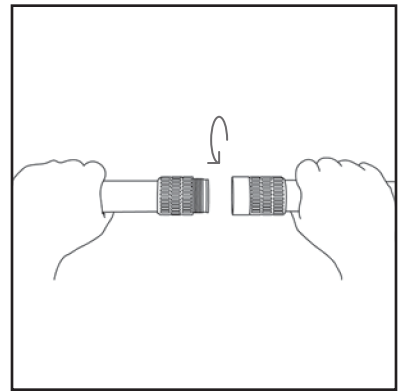
Turn on the Power

Connect the 12V plug to the receptacle on the battery. Hold down the small circular power button. Select DC or PoE on the rocker switch.



Assemble Pole & Unpack

Remove the two poles from the inside of the lid. Screw the two pieces together until tightly fixed. Set aside the cables, access point, acrylic plate, extension arm & accessories if needed. **Close and lock the case.**



4

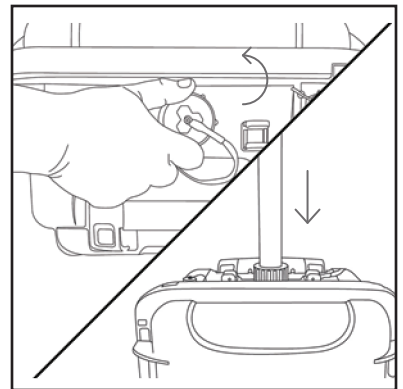
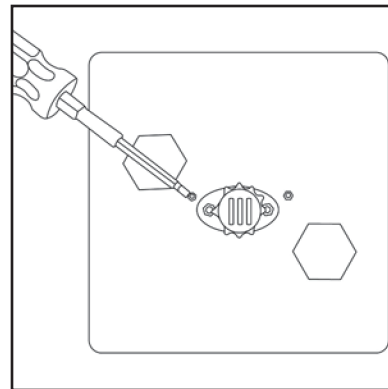
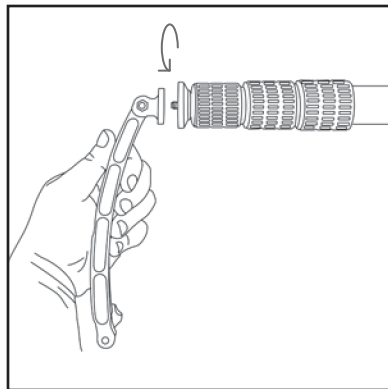
5

6

Assemble Mounting Plate

Using the provided screws, acrylic plate and AP bracket, line up the holes and carefully screw the bracket to the plate. ** (Silicone straps have been included as a universal mount option)

** Based on the AP230 from Aerohive



Connect Extension Arm to Pole

The extension arm has a pole mount adaptor attached. Twist to tighten to the pole. Ensure that you do not over tighten.

Insert Pole

Unscrew the cap from the case and insert pole all the way. Tighten the locking mechanism.

7

8

9

Connect Arm to AP Plate

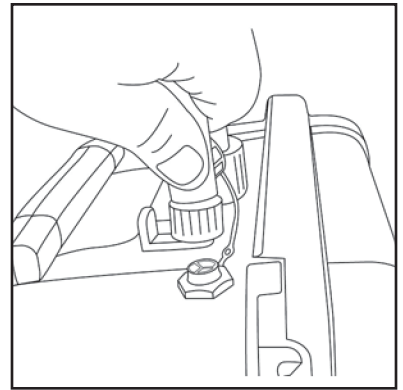
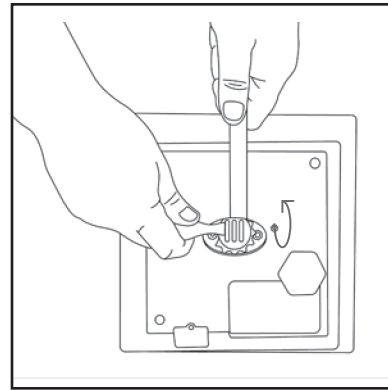
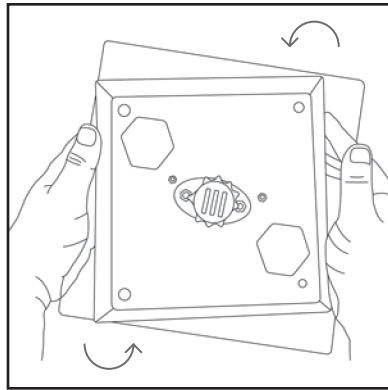
Using the provided screw, line up the extend arm holes with the 360 mount holes and fasten tightly.

Mount the AP

Line up the access point with AP mounting plate and twist until it locks. Or use bands.

Connect Power Cord to Case

Unscrew the waterproof cap from the DC or ethernet connector on top of the case. Securely plug the power cord to the power connector. Same for USB if using router.



10

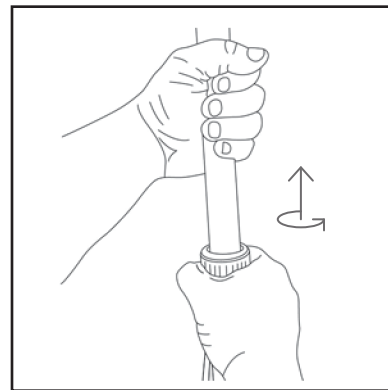
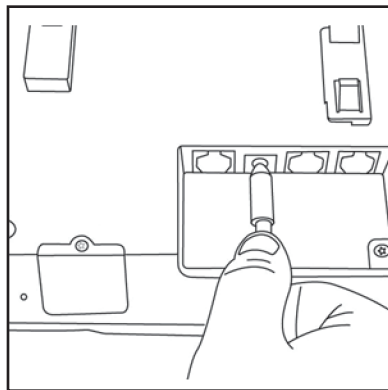
11

Connect Power Cord to AP

Plug the power cord into the back of the access point.

Extend Pole

Twist the quick lock mechanism and lift each section of the pole to your desired height. Twist the opposite way to lock in place. Max of 9ft.



REMINDERS

1. Keep the kit on a flat surface or in a low traffic area when conducting your survey to ensure it does not tip.
2. When removing & disassembling the pole ensure that the rubber pressure ring is still attached to the pole. Line up the ring and locking mechanism with the routed spot on the acrylic plate inside the lid when storing.
3. Always unplug & turn off the battery when not in use.